

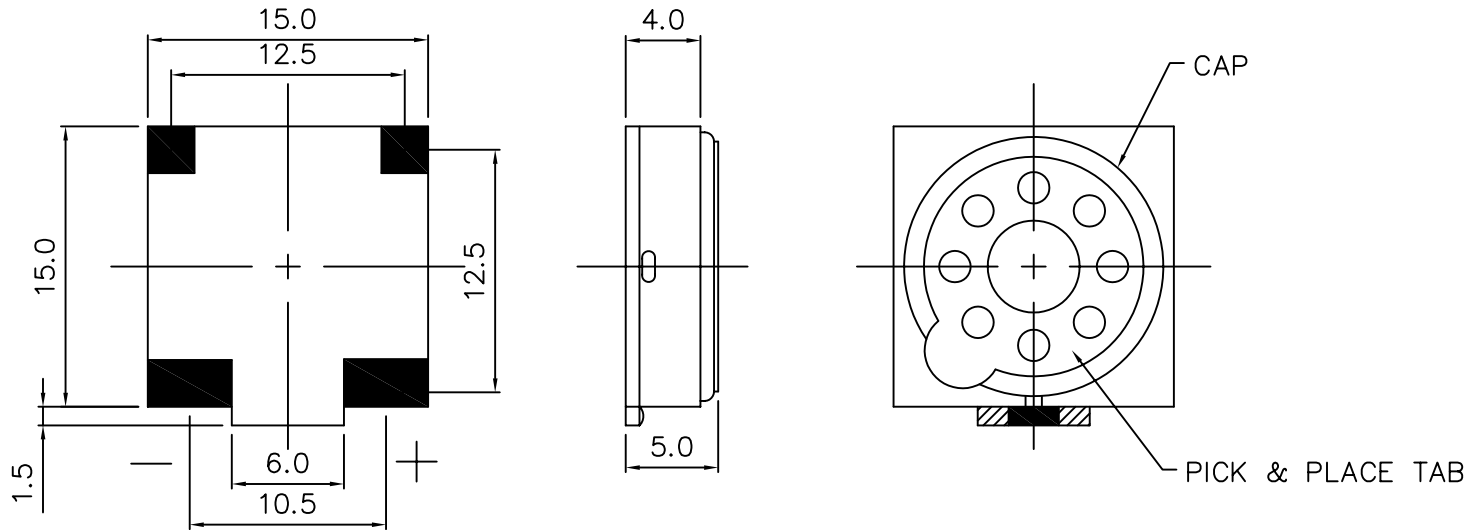
THIS DOCUMENT CONTAINS DATA PROPRIETARY TO PROJECTS UNLIMITED, INC. ANY USE OR REPRODUCTION, IN ANY FORM, WITHOUT PRIOR WRITTEN PERMISSION OF PROJECTS UNLIMITED, INC. IS PROHIBITED.
© 2003, Projects Unlimited Inc.

SPECIFICATIONS

PARAMETERS	VALUES	UNITS
RATED INPUT POWER	0.3	W
MAX INPUT POWER	0.5	W
IMPEDANCE	8	OHM
OUTPUT SPL @ 0.3W/10CM (AT 1.0, 1.2, 1.5, 2.0 kHz)	87±3	dBa
DISTORTION (MAX)	10%	-
RESONANT FREQUENCY	850±20%	Hz
FREQUENCY RANGE	850 ~ 20,000	Hz
HOUSING MATERIAL	PPS	-
CONE MATERIAL	MYLAR	-
MAGNET MATERIAL	SmCo	-
OPERATING TEMPERATURE	-40 ~ +85	°C
WEIGHT	2.1	grams

REVISIONS			
LTR	DESCRIPTION	DATE	APPROVED
-	RELEASED FROM ENGINEERING	4/28/05	
A	REMOVED LEAD FREE ADDED RoHS NOTE	8/10/05	

PART IS NOT WASHABLE



NOTES:

1. ALL DIMENSIONS ARE IN MILLIMETERS.
2. SPECIFICATION SUBJECT TO CHANGE OR WITHDRAWAL WITHOUT NOTICE.
3. PART IS NOT WASHABLE.
4. PART IS RoHS 2002/95/EC COMPLIANT.

FILE NAME
SMS-1508-2-R.DWG

UNLESS OTHERWISE SPECIFIED:
DIMENSIONS ARE IN MILLIMETERS, TOLERANCES ARE ±0.5 AND ANGLES ARE ±3°.

APPROVALS	DATE
DRAWN R.A.C.	1/05
APPROVED R.W.	1/05
DO NOT SCALE DRAWING	

projects®
unlimited Dayton, Ohio

SURFACE MOUNT SPEAKER
SMS-1508-2-R

SIZE A DRAWING NO.
SMS-1508-2-R

SCALE: N.T.S.

SHEET 1 OF 1